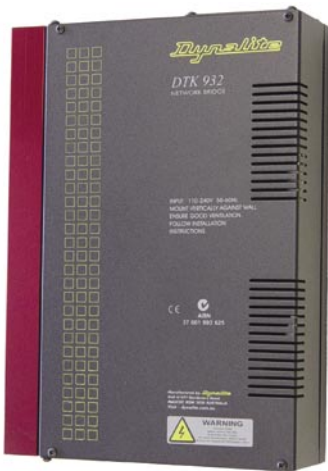


DTK932V7 network bridge

The Dynalite DTK932V7 is a flexible network communications bridge designed for RS485 networks. The two opto-isolated RS485 ports enable the DTK932V7 to implement a trunk and spur topology on large project sites, with the bridge providing a high-speed backbone opto-coupled to many lower speed spurs. It also provides isolation of electrical faults to individual spurs and augments network security and robustness through the definition of packet filtering rules for each direction.

The DTK932V7 allows bi-directional DyNet to DMX512 conversion, making the device perfect for the integration of DMX512 lighting fixtures, or to allow the lighting operator temporary control of the house lights from the lighting console in an auditorium scenario.

The DTK932V7 is capable of routing DyNet and third party protocols, such as audio-visual and building automation systems (BAS), providing an integrated approach to total building control and energy management.



technical data

Supply

230V 50/60Hz single phase & neutral at 25 Watts

Control Ports

2 x RS485 DyNet/DMX512 serial ports

Serial Port Isolation

3.75KV RMS optical isolation between ports

User Controls

Service switch
Diagnostic LED

Internal Controls

365 day time clock with 250 Events,
Sunrise/Sunset & Daylight Savings
functions
Programmable Logic Controller
Packet filtering

DMX512 Functions

DMX512 Transmit: up to 120 channels

DyNet DC Supply

750mA (supply for approx. 37.5 Smart Panels)

Supply Terminals

Phase, Neutral
1 x 4mm² max conductor size

Earth link bar provided

Serial Port Terminals

Serial Port 1:
GND, D+, D-, +15V
1 x 2.5mm² max conductor size

Serial Port 2:
SHIELD, GND, D+, D-, +15V
1 x 2.5mm² max conductor size
1 x RJ12 socket for plug in connection

Diagnostic Functions*

Device Online/Offline status
* DLight, DTK600 Touch Screen or BAS interface is required for displaying and analysing diagnostic data.

Compliance

CE, C-Tick

Operating Environment

0° to 50°C ambient temperature
0% to 95% RH non condensing

Construction

Alloy/Steel wall mount case with epoxy finish

Dimensions

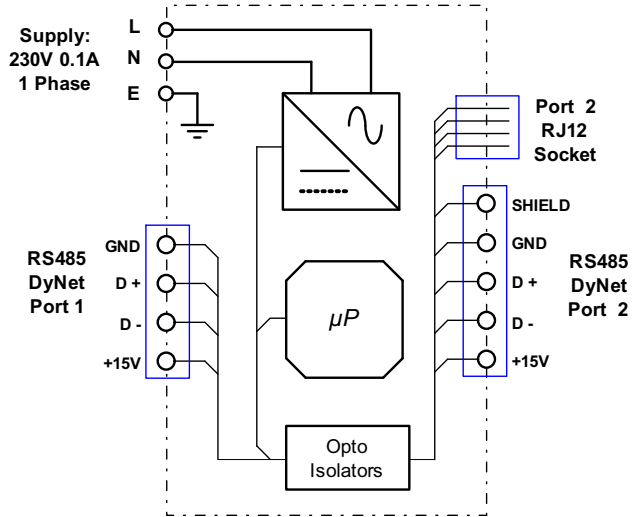
H 320mm x W 225mm x D 75mm

Weight

Packed weight 3.9kg

DTK932V7 network bridge

electrical diagram



mounting diagram

