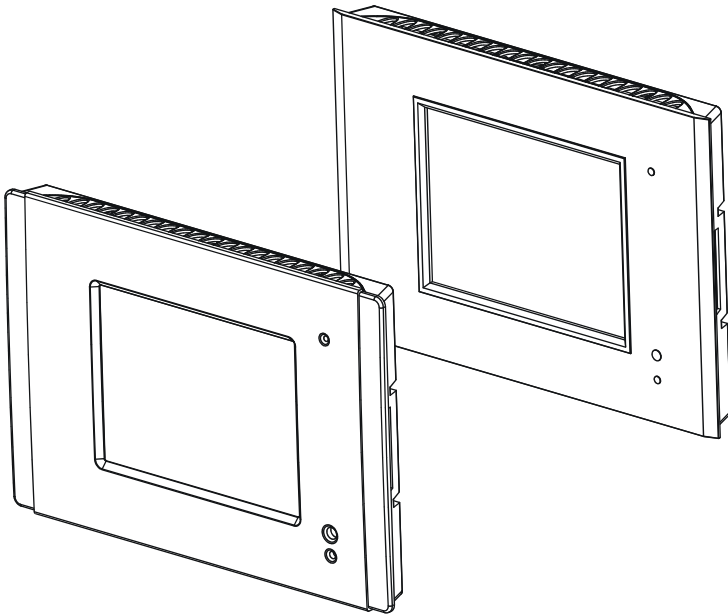




## C-Touch Colour Touch Screen

### User's Guide

50xxCTC Series



© Copyright Clipsal Integrated Systems Pty Ltd 2005. All rights Reserved. This material is copyright under Australian and international laws. Except as permitted under the relevant law, no part of this work may be reproduced by any process without prior written permission of and acknowledgement to Clipsal Integrated Systems Pty Ltd.

Clipsal, C-Bus and StarServe are registered trademarks of Clipsal Australia Pty Ltd.

The information in this manual is provided in good faith. Whilst Clipsal Integrated Systems (CIS) has endeavoured to ensure the relevance and accuracy of the information, it assumes no responsibility for any loss incurred as a result of its use. CIS does not warrant that the information is fit for any particular purpose, nor does it endorse its use in applications which are critical to the health or life of any human being. CIS reserves the right to update the information at any time without notice.

V1.0 Mar 2005

# Contents

<b>1.0</b>	<b>Product Range</b>	<b>5</b>
<b>2.0</b>	<b>Description</b>	<b>5</b>
<b>3.0</b>	<b>Definitions</b>	<b>6</b>
<b>4.0</b>	<b>Capabilities</b>	<b>6</b>
<b>5.0</b>	<b>Using the C-Touch Colour</b>	<b>7</b>
	5.1 Configuration Page	10
<b>6.0</b>	<b>Remote Control</b>	<b>11</b>
<b>7.0</b>	<b>Scenes</b>	<b>12</b>
<b>8.0</b>	<b>Schedules</b>	<b>13</b>
<b>9.0</b>	<b>Care Instructions</b>	<b>13</b>
<b>10.0</b>	<b>Product Specifications</b>	<b>14</b>
<b>11.0</b>	<b>Warranty</b>	<b>16</b>
<b>12.0</b>	<b>Installer Details</b>	<b>17</b>



## 1.0 Product Range

Product	Facia Style	Catalogue Number
C-Touch Colour	Stainless Steel	BS5000CTC
	Brass	BB5000CTC
	Neo	5050CTC
	Glass, Cream	5080CTC-3
	Glass, Black	5080CTC-6
	Glass, Mid-Brown	5080CTC-7
Infrared Remote Control	—	5035TX

## 2.0 Description

The C-Touch Colour Touch Screen (C-Touch Colour) is a flexible controller and scheduler for C-Bus systems. It has infrared remote control capability and a backlit colour liquid crystal display (LCD). The unit mounts in a wall, and connects to the C-Bus automation system, providing control and scheduling of services throughout a home or commercial premises.

The C-Touch Colour displays a series of touch sensitive pages which are associated with various appliances throughout the C-Bus network. You can use the unit to trigger “scenes” where multiple appliances switch on together, setting a particular mood at the press of a button. You can also control appliances according to a schedule.

The C-Touch Colour can be connected to the Clipsal StarServe system, allowing it to be controlled from any location where a Clipsal StarServe infrared target is located. With the support of a Clipsal StarServe modulator, the C-Touch Colour video output can be displayed on any TV attached to the Clipsal StarServe system.



**NOTE**

The appearance of every C-Touch Colour setup is unique, so your display may look different to the examples in this guide. Your installer is responsible for the configuration and features of your unit. Refer to them for details of your customised system.

### 3.0 Definitions

Term	Definition
load	An electrical device (such as a light) connected to a C-Bus output unit (such as a dimmer).
scene	A series of actions across multiple outputs, triggered by a single button. For example, on arrival home you could use a scene to switch on lights in the hallway and kitchen, dim lights in the lounge, and switch on a heater.
schedule	A sequence of events to occur at particular times or dates in the future.
backlight	The light behind the LCD screen providing visibility in varying lighting conditions.

### 4.0 Capabilities

Depending on its configuration, with the C-Touch Colour Touch Screen, you can:

- switch and dim lights and other electrical appliances
- switch off lights and appliances using a timer
- automatically control lights and appliances via a schedule
- simultaneously control multiple appliances from a single button (using scenes)
- edit scene levels
- edit schedule settings
- activate C-Touch Colour functions by remote control
- adjust the time and date
- monitor a room or other area via an IP camera
- view HTML compatible pages over a network
- view the C-Touch Colour's display on a TV monitor.



Figure 1 – The C-Touch Colour Touch Screen

## 5.0 Using the C-Touch Colour

The C-Touch Colour is normally configured with software customised for a particular environment (such as your home or office). The software normally presents a main page with buttons that link to other pages. Most pages contain buttons which control appliances such as lights, fans and curtains. Some pages contain slider controls or radio buttons which adjust lighting levels or select from a range of options. Pages can also display local or networked HTML documents, or a video feed from an IP camera (such as in Figure 2).

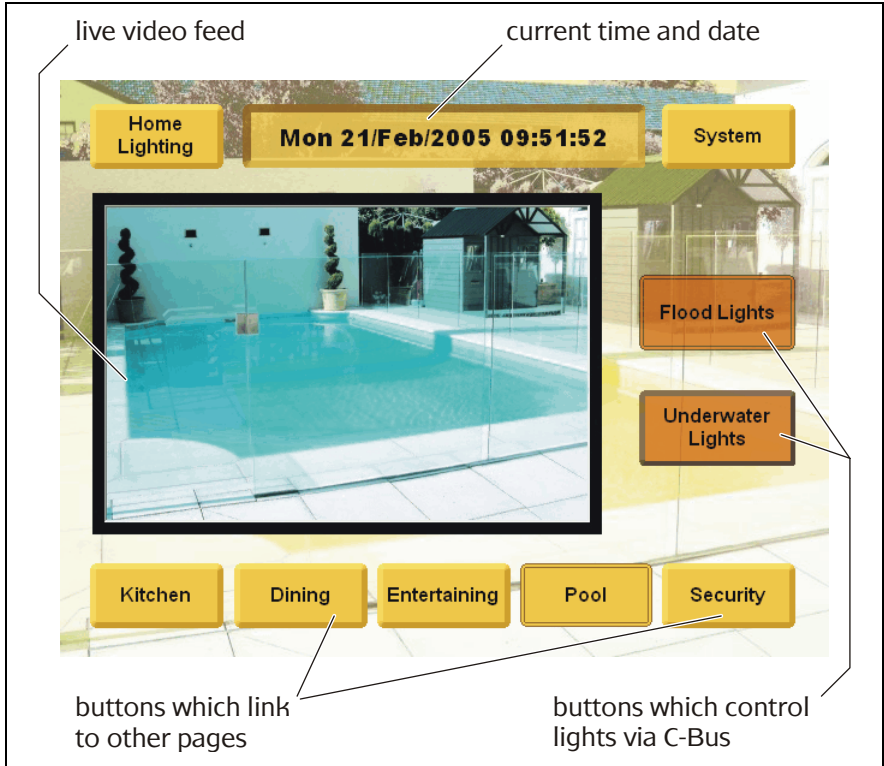


Figure 2 – A C-Touch Colour page which displays a live video feed

Figure 3 shows an example C-Touch page used to control the lights and fans in a kitchen. The page includes:

- scene buttons which set appliances to specific levels. For example, the Cooking button dims the kitchen and bench lights to their highest levels and switches the exhaust and range hood fans on
- sliders which allow you to adjust (dim) specific lighting levels
- switch buttons which allow you to toggle appliances on and off
- buttons which link to other pages.



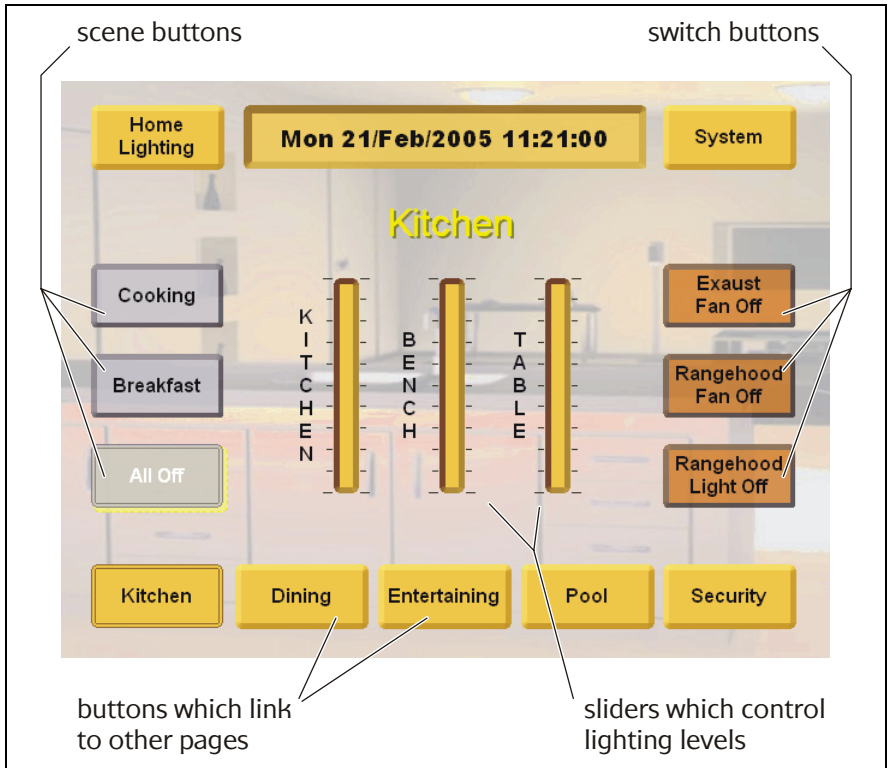


Figure 3 - A page used to control kitchen lights and fans

### 5.1 Configuration Page

In most installations the C-Touch Colour software includes a configuration page, such as the one in Figure 4. This allows you to customise your unit. The configuration page may have a different name, such as Tools, Utilities, Setup, Settings or System.

Depending on your installation, the configuration page may allow you to:

- set or change the time and date
- set the region or language
- temporarily ignore screen presses (cleaning mode)
- adjust sound settings
- adjust the backlight
- set or change a password
- adjust lighting levels in scenes
- configure events in schedules.



Figure 4 – An example configuration page

## 6.0 Remote Control

The C-Touch Colour is equipped with an Infrared Remote Control, which allows you to control appliances from a distance. You can use the remote to trigger scenes, switch appliances and adjust lighting levels, depending on how the C-Touch Colour was configured by the installer.

If you have multiple C-Touch units (Colour or Monochrome), you can use the same remote control with each of them. The remote has a range of approximately 8 metres (when used within a 45 degree angle from the IR receiver of the C-Touch Colour unit). This is illustrated in Figure 5.

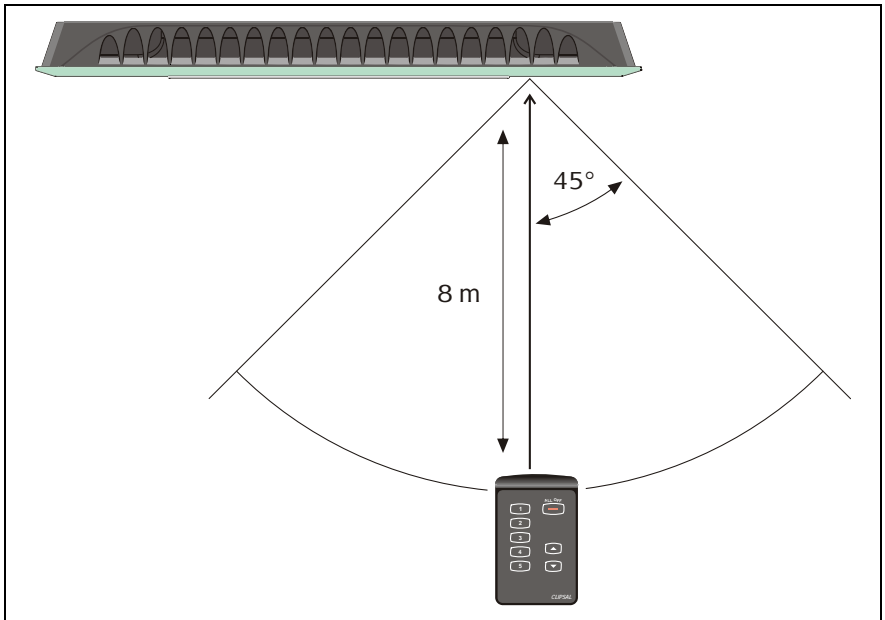


Figure 5 – Remote control range

The Infrared Remote Control is supplied with a CR2025 (or equivalent) coin type lithium battery (pre-installed). The battery location is shown in Figure 6.

A universal remote control with learning capability can be used to control C-Touch units. Please follow the directions of your learning remote.

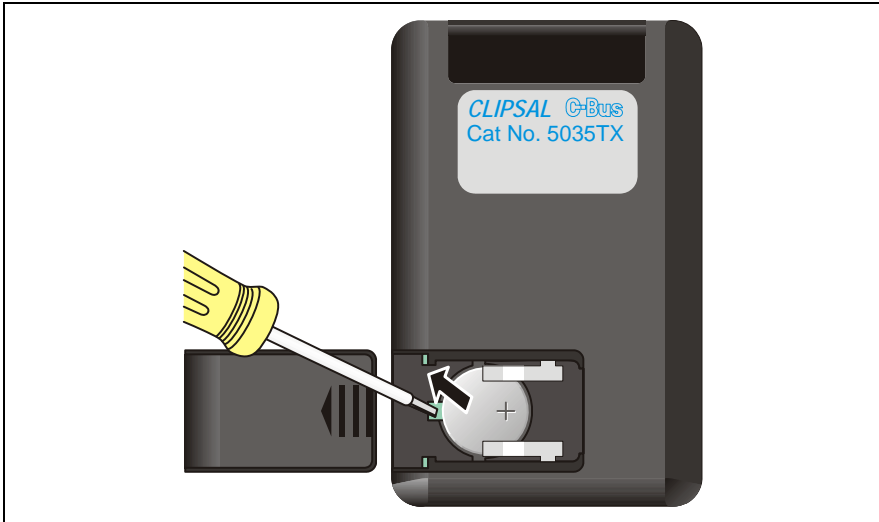


Figure 6 – Replacing the remote control battery

## 7.0 Scenes

One of the benefits of an automation system is the combining together of events to create a special effect. An example of this is the commencement of a movie at the cinema, where the house lights dim, the curtains open and the movie begins to play. You can reproduce this effect by creating a scene triggered by your C-Touch Colour unit. Almost anything on your C-Bus system can be included in a scene. Ask your installer for information on how scenes can be used to set special moods.

## 8.0 Schedules

A Schedule is used to make something happen at a particular time. Since this feature is included in the C-Touch Colour, you can ask your installer to include schedules which perform household chores on a regular basis. An example would be to turn the lights on and off when you are away from home to make the house look lived in. You can create the impression that someone is home and moving from room to room at various times. Another example is something often forgotten such as watering the garden on a regular basis.



The schedules in the C-Touch Colour unit must be created by your installer, on a computer using special software. These schedules are then transferred to enable their operation.

## 9.0 Care Instructions

C-Touch Colour contains electrical and electronic parts to support its powerful functions. Note the following precautions:

- Clean regularly using a soft lint free cloth (use the Cleaning Page to avoid undesired triggering of events).
- Do not use chemicals or spray cleaners when cleaning.
- Do not operate with wet hands.
- Do not use hard, sharp objects to select the controls.
- Allow adequate ventilation. Do not cover the unit.
- C-Touch Colour is designed for indoor use only.
- Do not expose to direct sunlight for extended periods.



Warm airflow produced from the vents located at the top of the unit may cause discolouration of some surface over time.



no wet  
hands



no cleaner  
spray



no  
coverage



no direct  
sunshine



no  
dust

## 10.0 Product Specifications

### C-Touch Colour Touch Screen

Parameter	Description
Supply voltage	5 V DC, 30 W maximum via power pack*
Display type	6.4 inch TFT Colour Active Matrix LCD
Display resolution	640 × 480 pixels
Display luminance	300 cd/m
Display contrast ratio	better than 100:1
Viewing angle	left, right, down: 70°; up: 40°
Backlight lifetime (typical)	50,000 hours, factory exchangeable
Touch surface durability	35 million touches in any one location, 1 million touch slides
C-Bus supply voltage	15 to 36 V DC @ 20 mA required for normal operation. Does not provide current to the C-Bus Network
C-Bus control functions	Load switching and dimming, scene control, scheduling
C-Bus connection	2 × C-Bus RJ45 (parallel)
C-Bus System Clock	Software selectable
Video connection	1 × Composite Video Out (75 Ω RCA) PAL or NTSC selectable
Other connections	2 × USB type A, 2 × Ethernet RJ45, RS-232 DB9, Audio Line In (3.5 mm stereo), Audio Line Out (3.5 mm stereo), Infrared In (3.5 mm mono), PS2 keyboard, 4 pin Power
Processor	VIA Eden Chipset, 300 MHz
Warm up time	2 minutes
Operating temperature range	10 to 30 °C
Operating humidity range	10 to 90% RH (non-condensing)

## Infrared Remote Control

Parameter	Description
Supply voltage	3 V DC required for normal operation. Transmission range reduces with decreasing battery voltage
Battery	Lithium “coin” battery CR2025 (or equivalent)
Battery shelf life	Approximately ten years
Infrared transmission range	up to 8 metres at 90° to C-Touch Colour
Control functions	8 membrane buttons comprising 5 general purpose buttons, 1 master off button, up/down buttons

## Power Supply\*

Parameter	Description
Supply voltage	90 to 264 V AC, 50/60 Hz
Supply cables	4 m mains input (IEC plug), 4 m DC output (fixed)
Operating temperature range	0 to 60 °C

\*The provided C-Touch Colour Power Supply must be used. Failure to do so will void the warranty

## **11.0 Warranty**

The C-Touch Colour product carries a two year warranty against manufacturing defects (refer to the Warranty Statement), with the exception of the 5035TX Infrared Remote Control's battery which is limited to 30 days.



## 12.0 Installer Details

Parameter	Description
Name	
Company	
Address	
City / Suburb	
State	
Postcode / Zipcode	
Country	
Voice Phone	
Mobile Phone	
Facsimile	
Email	
Web	







## **Technical Support and Troubleshooting**

For further assistance in using this product, consult your nearest Clipsal Integrated Systems Sales Representative or Technical Support Officer.

Technical Support Hotline: 1300 722 247 (Australia)  
0800 888 219 (New Zealand)

Technical Support Email: [techsupport.cis@clipsal.com.au](mailto:techsupport.cis@clipsal.com.au)

Sales Support Email: [sales.cis@clipsal.com.au](mailto:sales.cis@clipsal.com.au)

A list of worldwide contacts, additional product information and technical resources is provided at <http://www.clipsal.com/cis/>

## **Product of Clipsal Integrated Systems Pty Ltd**

ABN 15 089 444 931

### **Head Office**

12 Park Terrace, Bowden, SA 5007, Australia

Telephone: (+61) 8 8440 0500

Facsimile: (+61) 8 8346 0845

Email: [cis@clipsal.com.au](mailto:cis@clipsal.com.au)

Web: <http://www.clipsal.com/cis/>

1036230