

Concept: Smart-Bus Automation
Category: User Interface

7" Wall Touch Screen

7" Color Touch Screen Wall Mountable



Description

7 " true color wall mount touch screen

Elegance with Real Room Picture, can store up to 16 different room Pictures , control your Lights by single press on the lights icon, with different 6 scenes for each room, 2 way communication. Update you on your home lights status, 7"True Color Touch Screen, embedded RTC Real Time clock to automatically turn your lights ON/OFF.

User Friendly interface which comes with different skins

Screw Less Mechanism Mounting

Available Accessories

- GI Back Box
- Black Glass Cover Plate
- White Glass Cover Plate
- HAC User Interface
- Visual Lighting control User Interface

Page Related To

Model	Part #
SB-WL-TS7	WL-TS7

Features	Specifications
<ul style="list-style-type: none"> • FLASH ROM: 64M • SDRAM: 64M • CPU: 400MHZ • built-in RTC real time clock • Operation system: WinCE 4.2net • Standard Real Room Picture, total of 16 room with 6 different scenes for each room (If Using Lighting Visual User Interface) • Optional Dynamic Icons If Using HAC—Home Automation Control Interface • Standard Dynamic 2 way communication , showing you which lights is ON in every room (With VLC Interface) • Dynamic 2 way communication and control, for Audio, Video IR, Security, HVAC, Lighting, Shades, ++ when using HAC interface Option) • Convenient and User Friendly • Fast Uploading and downloading the settings to and from the Touch screen • 2 icons status auto changing regarding the Lights statuses • Slider for each lights for dimming Similar to I-Phone Style. 	<p>Power Input: 12-24V DC</p> <p>Power Consumption: 500mA/DC24V</p> <p>Ambient Conditions: Working Temperature: 0°C- 45°C</p> <p>Working Relative Humidity: 20% - 90%</p> <p>Storage Temperature: -40°C- +55°C</p> <p>Storage Relative Humidity: 10% - 93%</p> <p>LCD Brightness: Screen safer mode dim back-light of screen with auto adjustable brightness and contrast</p> <p>Interface: 16 real room pictures , touch screen</p> <p>Installation: Wall mounting</p> <p>Mounting: Fit inside its special back box, screw less</p> <p>Graphics: Bmp and Text</p> <p>Communication: Data Connection</p> <p>Addressing: MAC & IP</p>

Applications	Dimensions
<ul style="list-style-type: none"> - use in home main living room - bed rooms - Restaurant and offices 	207.5×150.9×32.9(mm)

Brief Specification
7" colored touch screen with Video enabled, elegant changeable frame, screw less mount, easy user interface with Picture, TCP/IP, extra fast with slider like i-phone and 2 way communication

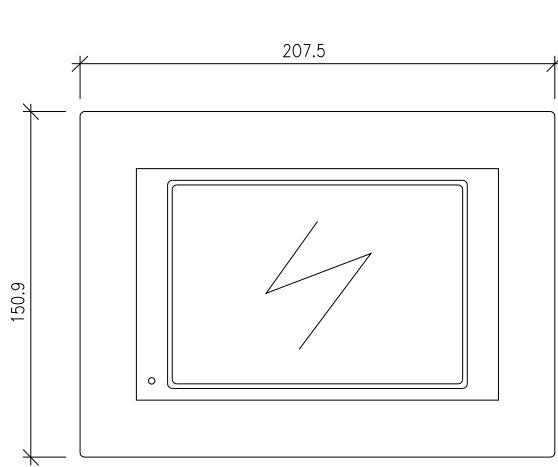
Required With	Pre-Requisite
Use 12- 24V DC Power supply 500mA/DC24V	Ethernet Port Model SB-DN-1IP or similar

Wiring Instruction
Data connection RJ45 + Power cable for 24 VDC

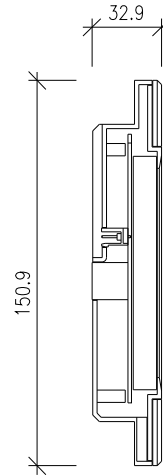
Connection Diagrams and Engineering Schematics

Touch Screen	Model #	HDL Part #
7" True Color Touch Screen Wall Mountable	SB-WL-TS7	WL-TS7

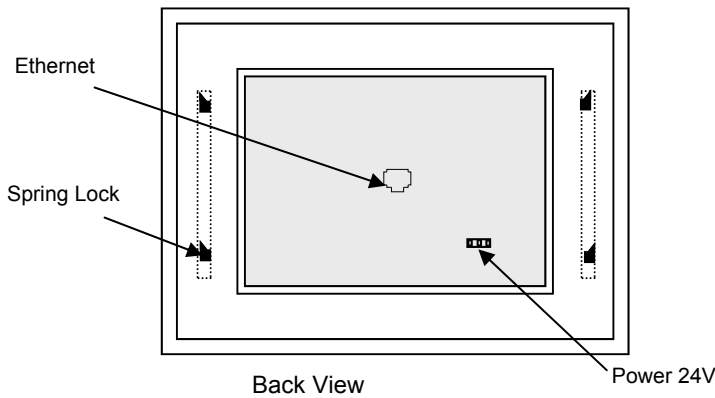
Product Details and Sizes



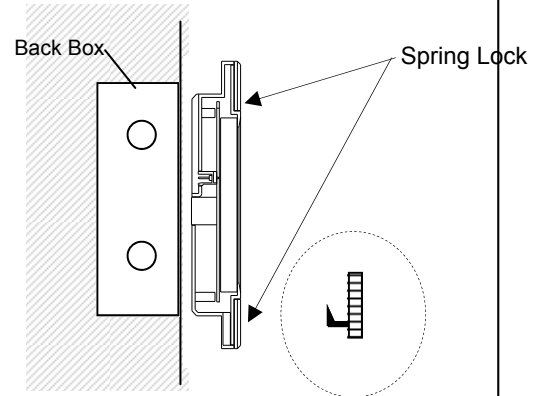
Front View



Side View



Back View



Embedded installation

Engraving	Net Weight	Box Size	Gross Weight
N/A (*Optional Hotel or VIP Signature)	0.8KG	25Cm/20Cm/12Cm	1KG

Connection Diagram

