

Concept: Smart-Bus Automation
Category: Dimmer

High Performance Intelligent Dimmer
 Wall Mount Dimmer 6 Ch, 20A



Description

High Performance Intelligent Dimmer wall mount 6ch 20 A

6ch, 20A/ch (total is 120A), three phase digital intelligent dimmer, 10 bit dimmer accuracy, with short circuit, over load and grounding fault protection and bypass feature, 50-60Hz.

Advanced heat Sink Technology, With Door Cover

Wall mounted thus, there is no need DB for cabinet, it can be used in any location that require energy saving, Intelligent control such as Convention Center, Hotel, Shopping Mall, Residential Building, Banquet Room, Stadium, Airport, Theme Park, Gymnasium, Intelligent Villa, Smart Mansion.

Available Accessories

N/A

Page Related To

| Model | Part # |
|--------------------|-----------------|
| SB-WL-D0620 | WL-D0620 |

| Features | Specifications |
|---|--|
| <ul style="list-style-type: none"> • 10 Bit dimming accuracy • Wire bypass function . • Maximum separate 6 Areas • Up to 99 show sequences, 99 steps for each sequence, and 0.1s to 60 • minutes interval between each step. Each show sequence has 4 running mode of "Forward", "Backward", and "Bounce, Random". • Low threshold, high threshold and maximum threshold are available to suit different loads of each channel. • Emergency bypass switch in each channel • Built in power supply 250mA current (DC24V) • Remark information provided in each scene, area, sequence and channel • Installed with emergency fire protection switch • Device can be restored to previous scene or designated scene after Power restore | <p>Power Input: three phase AC 380V</p> <p>Power Consumption: +250mA/DC24V</p> <p>Ambient Conditions: Working temperature: -10℃~+45℃</p> <p>Working Relative Humidity: 20% - 90%</p> <p>Storage Temperature: -40℃- +55℃</p> <p>Storage Relative Humidity: 10% - 93%</p> <p>Output Channel: 6ch dimmer</p> <p>Installation: Wall mounting .</p> <p>Output current in each channel: Maximum 20A per channel, total current in 6 channels is 120A</p> <p>Protection: short circuit, over load, grounding fault protection</p> <p>Communication: Smart-BUS</p> |

| Applications | Dimensions |
|--|--------------------------|
| <ul style="list-style-type: none"> - Towers and Hotels Halls - Palace and Big Villa - Airport and Malls | Front: 470 x290 x162(mm) |

| Brief Specification |
|---|
| Wall Mount Dimmer 6 Ch, 20A /per ch, With door no need for DB cabinet , with short circuit, over load, grounding fault protection |

| Required With | Pre-Requisite |
|-----------------------|---------------------------|
| Built in power supply | Wall mounting Space 30X70 |

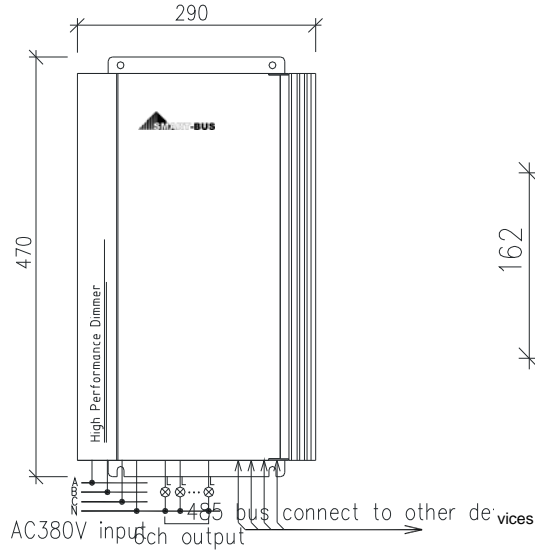
| Wiring Instruction |
|---|
| Daisy Chain, Bus Wiring Topology, Use Cat5e Twisted |

| |
|---|
| High Performance Intelligent Dimmer |
| 6ch 20A High Performance Intelligent Dimmer |

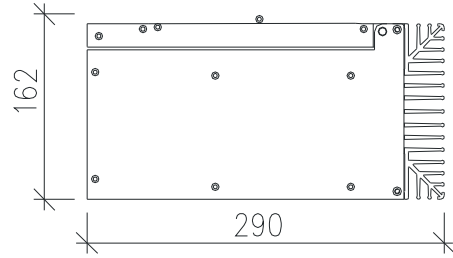
| |
|-------------------|
| Model # |
| SB-MDH0620 |

| |
|----------------|
| HDL Part # |
| MDH0620 |

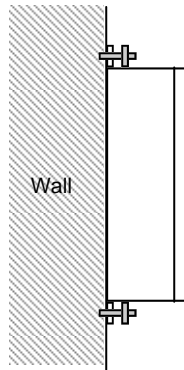
Product Details and Sizes



Front View



Back View



wall mounting

| Engraving | Net Weight | Box Size | Gross Weight |
|-----------|------------|----------|--------------|
| | | | |

Connection Diagram

