



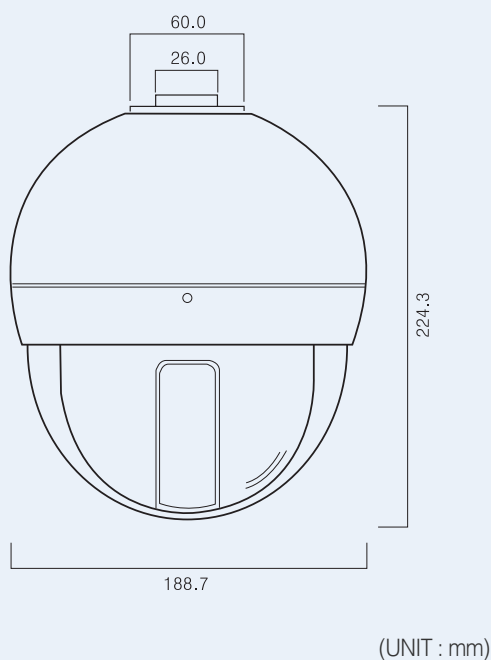
CE FC

INDOOR

# DSC-230Si

22x DAY/NIGHT SUPERIOR HIGH SPEED DOME

## Dimensions



## Optional Accessories



DSC-20WVP



DSC-20CP



DSC-20ICB

## Technical Specifications

MODEL	DSC-230Si	
	NTSC	PAL
Signal system	NTSC	PAL
Image sensor	1/4" Type Sony HAD CCD	
Number of total pixels	811(H)X508(V) 410K	795(H)X596(V) 470K
Number of effective pixels	768(H)X494(V) 380K	752(H)X582(V) 440K
Horizontal resolution	More than 480 TV lines	
Lens	22x Optical zoom, F 1.6(Wide) - 3.8(Tele), f =3.9 - 85.8mm	
Digital zoom	10x (Total zoom 220x)	
Minimum Distance	1cm (WIDE) - 1m (TELE) , Max	
Minimum illumination	1.0 Lux (30 IRE) / , 0.01Lux with Electronic Sensitive Up	
Luminance S/N ratio	More than 50dB	
Video output	1 Vp-p Composite video output 75 ohm terminated	
Focus mode	Auto/manual/oneshot	
Brightness control	Level (1 - 99)	
White balance	Auto/Indoor/Outdoor/Push auto	
BLC Control	BLC Level (0 - 80)	
AGC Control	Auto / 8 - 38 dB selectable	
Shutter speed control	1/60 - 1/10,000 sec 28 steps	1/50 - 1/10,000 sec 28 steps
Flickerless set	On / Off	
Sharpness control	Level 0 - 15	
DSS control	Max. 128 Fields	
Day & Night	On ( 0.1 Lux) / Off	
Auto flip	On / Off	
Pan angle	360° Continuous	
Pan speed	Manual:0.1° -250° /sec (64 levels), Preset: Max 360° /sec (64 levels)	
Max speed control	Lower / Middle / High	
Tilt	-2° - 90°	
Tilt speed	Manual:0.1° -90°/sec (64 levels), Preset: Max 200° /sec (64 levels)	
Preset point	128 Presets	
Alarm	4 input / 1Relay output	
Alarm Resume Time	Off, 1~180 sec	
Environment	Indoor	
Operating temperature	- 5°C to 60°	
Storage temperature	- 15°C to 60°	
Dimensions	189Φ (Diameter) x 224(Height) mm	
Weight	About 3.2Kg	
Construction	Ivory body (ABS), bubble (poly carbonate)	
Power consumption	18W (Max)	
Power supply	AC24V 60/50 Hz	