

Concept: Hotelier
Category: Hotel Control Devices

Model #	HDL Part #
SB-3S-Bell	MHB.1010

Intelligent Door Bell

Intelligent Room Door Bell



Description

Hotel Door Bell Touch Panel

Elegance with Compact Integrated Function

A New Generation of Door Panels for Hotel Guest Room Luxury standards of Hotels

The 17 cm Panel Accommodate all Hospitality Room Door needs in one compact space elegantly: (Bell, DND, Clean Room, Please wait/ Pick Laundry, & Room Number)

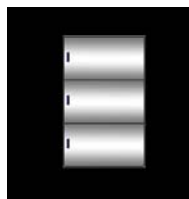
Screw Less Mechanism Mounting (Magnets)

Available Accessories

- GI Back Box: 9.5WX15.7HX3.0D cm
- Black Glass Cover Plate
- White Glass Cover Plate
- Other Color and Design Cover Plate (Options)
- *HID, RFID Card / Tag Reader Option
- *Auxiliary NO/NC Connection Module
- *Matt Glass for Anti Smudging

Page Related To

Features	Specifications
<ul style="list-style-type: none"> • LED Back Lighting • Room/Apt Number With Light • Touch Glass Elegant Panel • Graphical Service Display DND, Clean Room, Please Wait, Pick Laundry • Flexible Finishes available like: Wight Glass, Black Glass • Screw Less Mounting Using Advanced Magnet Attachment Idea • When DND is Active, Door Bell is Disabled • Connection to Door Magnetic Contact (Option: SB-DBT3-XS Model) • Integrated Door Access Proximity card and Release relay (Option: SB-DBT3-XS Model) • Online Door Lock release During Fire Emergency (Option: SB-DBT3-XS Model) • Online Enabling and Disabling of Door Access Cards (Option: SB-DBT3-XS Model) • Hotel Logo Engraving Ability 	<p>Power Input: 8-32VDC; By BUS</p> <p>Power Consumption: 20mA/DC24V</p> <p>Ambient Conditions: Working Temperature: 0°C - 45°C</p> <p>Working Relative Humidity: 20% - 90%</p> <p>Storage Temperature: -40°C - +55°C</p> <p>Storage Relative Humidity: 10% - 93%</p> <p>Room Number: 1-4 Digits</p> <p>Touch Type: Capacitive</p> <p>Installation: Wall mounting into Special GI Back Box</p> <p>Mounting: 2 Strong Magnets for Easy and Elegant Screw Less Installation and Programming</p> <p>Graphics: Silk Screened</p> <p>Communication: Smart-BUS</p> <p>Addressing: MAC & Digital</p> <p>*Auxiliary NO/NC: 2 Addressable Ports</p> <p>*Card Reader: Proximity RFID</p> <p>* Lock Release relay NC/NO connection</p>



3 or 4 Button Master Switch

Applications	Dimensions
<ul style="list-style-type: none"> - Hotel Guest Room - Apartment Entry Door - Office / Meeting Room 	<p>Front: 10.5cmX17.0cm Depth: 2.0 cm</p>

Brief Specification
Touch Glass Panel for Hotel Room with Logical DND operation and Room Number

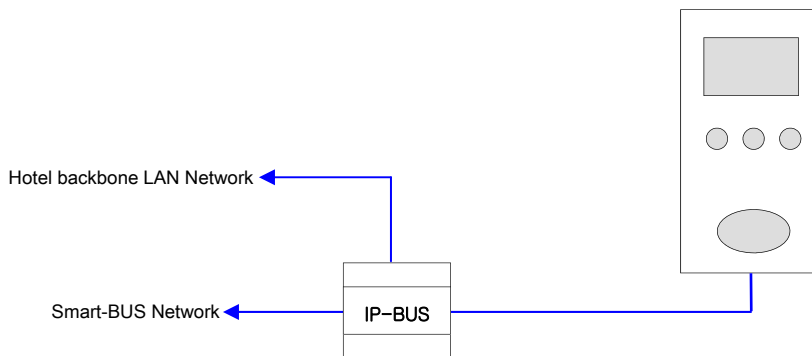
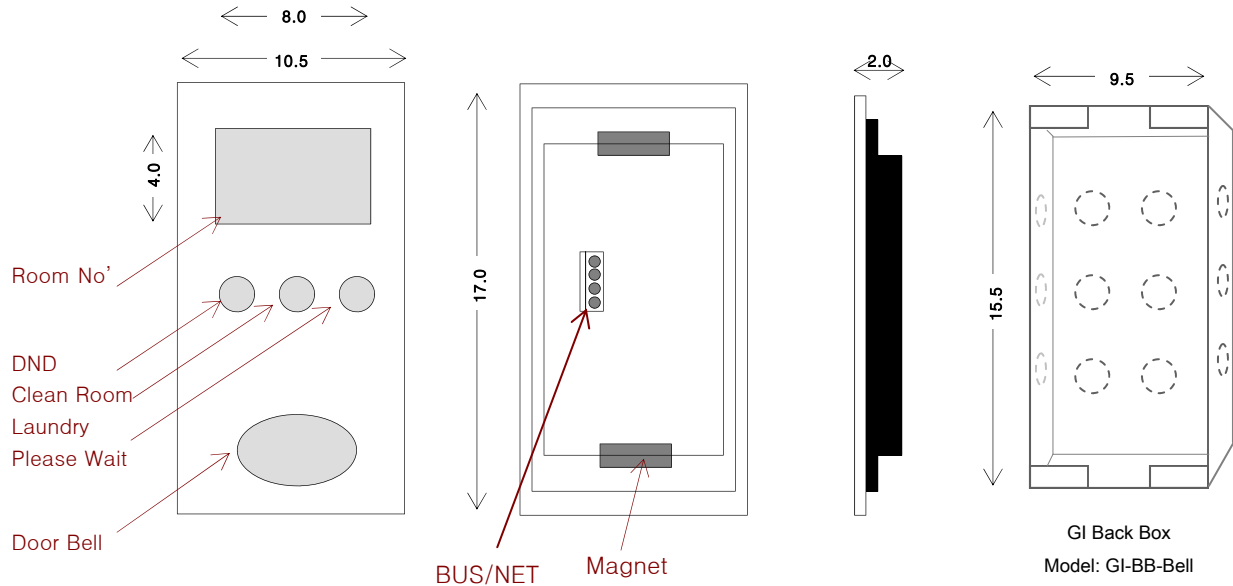
Required With	Pre-Requisite
Use 8– 32V DC Power supply 25mA/DC24V	BUS or H-Net System

Wiring Instruction
Daisy Chain, Bus Wiring Topology, Use Cat5e Twisted

Connection Diagrams and Engineering Schematics

Intelligent Door Bell	Model #	HDL Part #
Intelligent Door Bell	SB-3S-Bell	MHB.1010

Product Details and Sizes



Engraving	Net Weight	Box Size	Gross Weight
Silk Screen Print + Glass Engraving	400 grams	12X19X6 cm	800 grams

Connection Diagram

