

Concept: Smart-Bus Automation
Category: Ballast Controller

DALI controller Module
 DIN-Rail Mount, 48CH DALI



Description

DIN-Rail Mount, 48CH DALI

To dim your Fluorescent Tube Lights and save tube Lights energy also gives different mood lighting in the room for a more comfortable lighting for the human eyes.

It can control 48 Channel of Dali Ballast , work as bridge between S-bus and Dali

Can be used in any location that require energy saving, intelligent control such as Convention Center, Hotel, Shopping Mall, Residential Building, Banquet Room, Stadium, Airport, Theme Park, Gymnasium, Intelligent Villa, Smart Mansion.

Available Accessories

Page Related To

| Model | Part # |
|---------------------|------------------|
| SB-DN-DALI48 | DN-DALI48 |

| Features | Specifications |
|--|--|
| <ul style="list-style-type: none"> • Signal transition from HDL-BUS to DALI BUS • Control 48ch DALI device • With scene controller • Maximum 48 separate areas • Be available to set low threshold, high threshold, system failure in each area • Device can be restored to previous scene or Specific Scene when power restore • 485 BUS communicate | <p>Power Input: AC 220V</p> <p>Working Temperature: 0°C ~ +45°C</p> <p>Working Relative Humidity: 20% - 90%</p> <p>Storage Temperature: -40°C - +55°C</p> <p>Storage Relative Humidity: 10% - 93%</p> <p>Installation : Standard 35mm rail mounting</p> <p>Communication: Smart-BUS - Dali 48</p> |

| Applications | Dimensions |
|--|----------------------|
| <ul style="list-style-type: none"> - Hotel , conference halls - meeting and Living , study room - Offices , malls , shops | Front: 144x88x66(mm) |

| Brief Specification |
|---|
| DIN-Rail bus enabled, S-bus DALI Bridge that can control 48 channel of DALI |

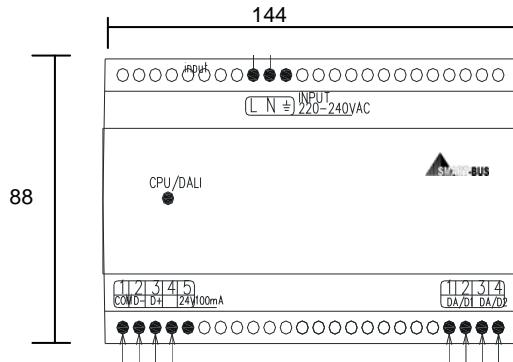
| Required With | Pre-Requisite |
|-----------------------|---------------|
| Built in power supply | Dali Ballast |

| Wiring Instruction |
|---|
| Daisy Chain, Bus Wiring Topology, Use Cat5e Twisted |

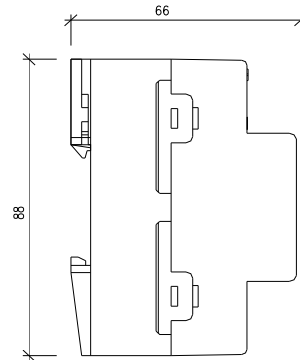
Connection Diagrams and Engineering Schematics

| | | |
|----------------------|---------|------------|
| DALI Module | Model # | HDL Part # |
| 48ch DALI controller | | MC48DALI |

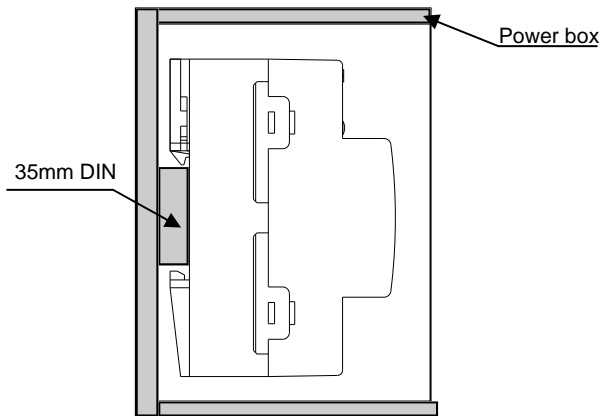
Product Details and Sizes



Front View



Side View



35mm DIN rail mounting (8P)

| Engraving | Net Weight | Box Size | Gross Weight |
|-----------|------------|----------|--------------|
| | | | |

Connection Diagram

